

**17G
4051**

Ford Tourneo / Transit Connect Md. 01/2014

Oval side bar with dots L1 (2662 mm)

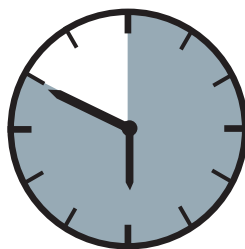
Flankenschutzrohr Oval mit Antirutschknoppen L1 (2662 mm)

Protections latérales ovales avec des points L1 (2662 mm)



ASSEMBLY INSTRUCTION

Montageanleitung • Instructions de montage



50 Minuten

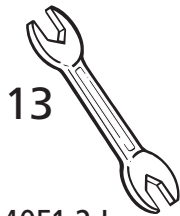
Artikel-Nr:

17G4051 stainless steel

17G5051 black steel

Revision 3: 15.12.2014

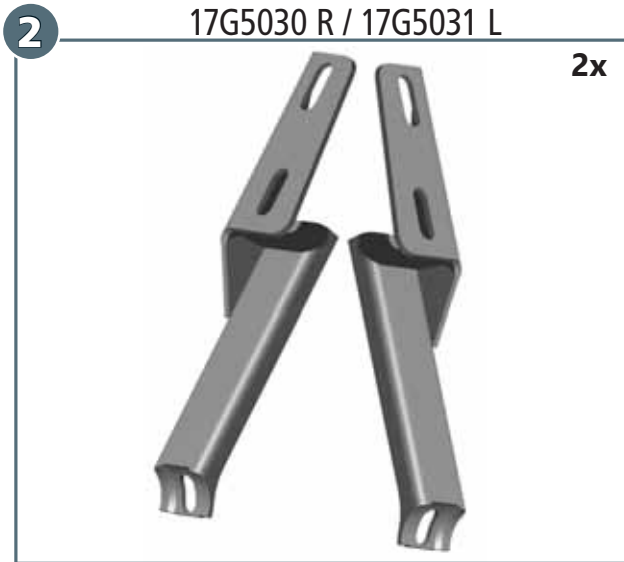




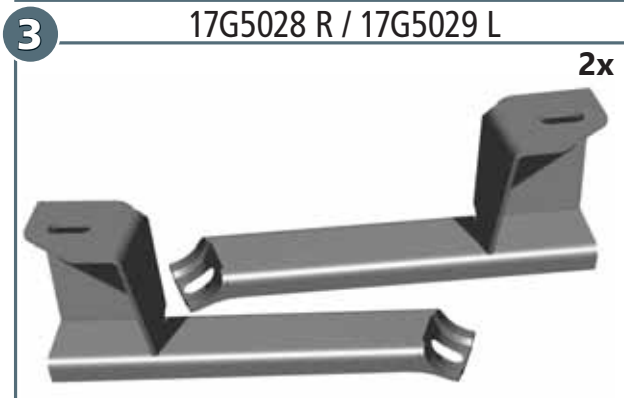
17G4051.1 R / 17G4051.2 L
(17G5051.1 R / 17G5051.2 L)



17G5030 R / 17G5031 L



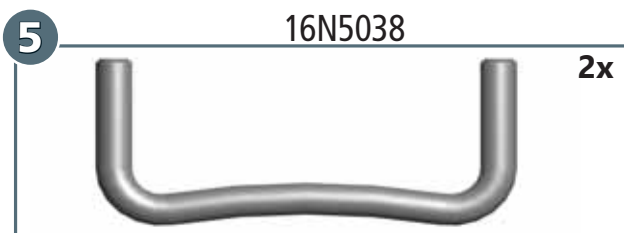
17G5028 R / 17G5029 L



12F5038



16N5038



a		M8 x 25; DIN 933 A2	4x
b		M8; DIN 934 ZN	6x
c		Ø 8; DIN 127 A2	4x
d		Ø 8; DIN 127 Zn	6x
e		Ø 8,4; DIN 9021 A2	4x
f		Ø 8,4; DIN 9021 Zn	6x
g		SW13	4x

