

**16D
4051N**

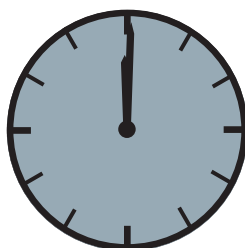
Mazda CX-5; Modell 2019

Side protection bar oval
Flankenschutzrohr oval
Protection latérale rondes (ovale)



ASSEMBLY INSTRUCTION

Montageanleitung • Instructions de montage



60 Minuten

article no.:

16D4051N (S) inox

16D5051N black steel

Revision 1: 11.11.2019



www.antec-online.de

page/Seite 1

M8(A2):

21,4 Nm

M8:

25 Nm

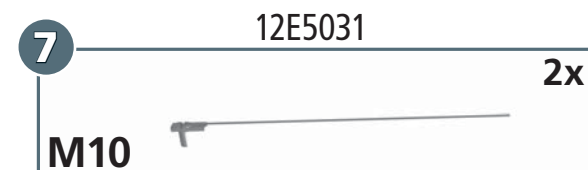
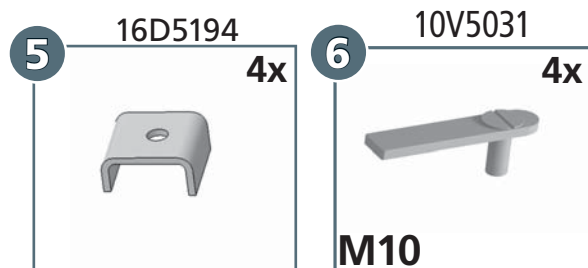
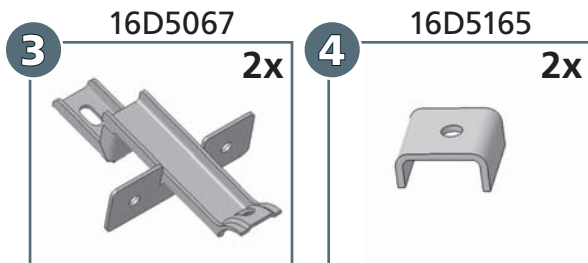
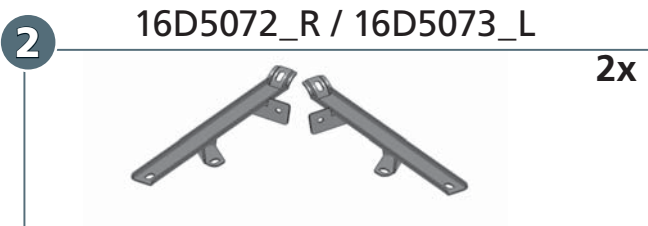
M10:

50 Nm



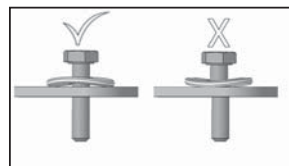
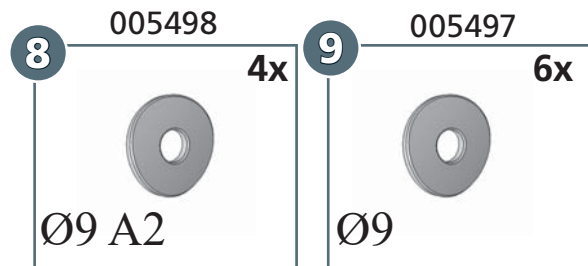
16D4051.1 / 16D5051.1

16D4051.2 / 16D5051.2



mounting kit: 16D9051N

	M8x45; DIN 933 Zn	6x
	M8x25; DIN 933 A2	4x
	M8; DIN 934 Zn	6x
	M10; DIN 934 Zn	6x
	Ø 8,4; DIN 125 Zn	6x
	Ø 10,5; DIN 9021 Zn	6x



article no.:

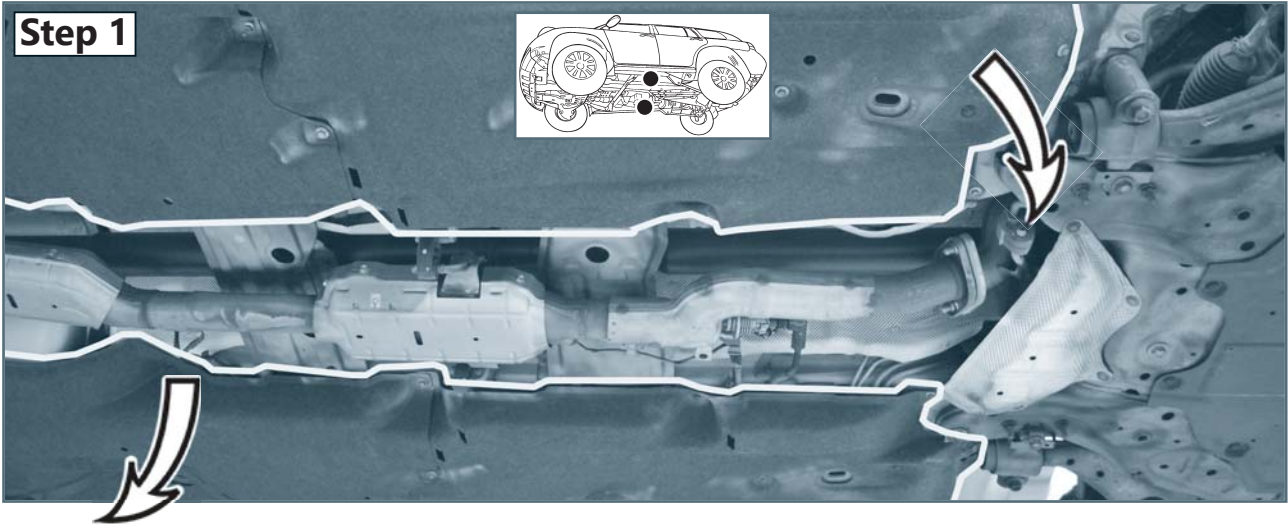
16D4051N (S) inox

16D5051N black steel

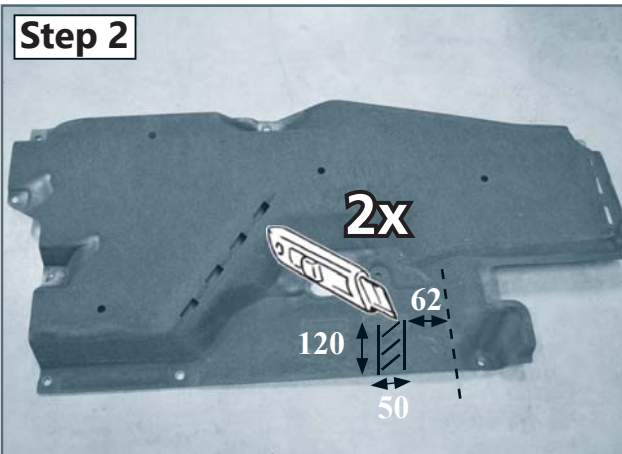
Revision 1: 11.11.2019



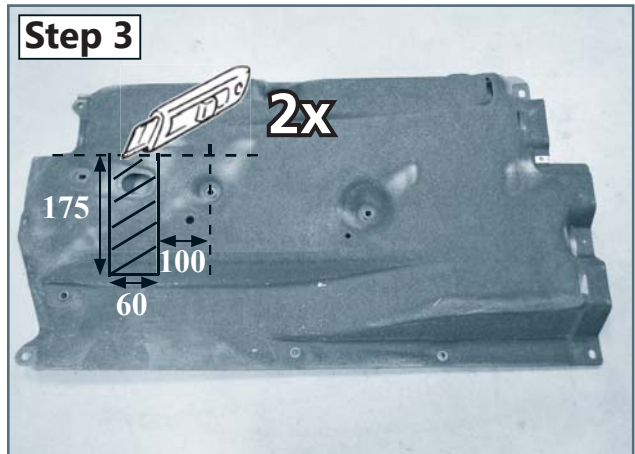
Step 1



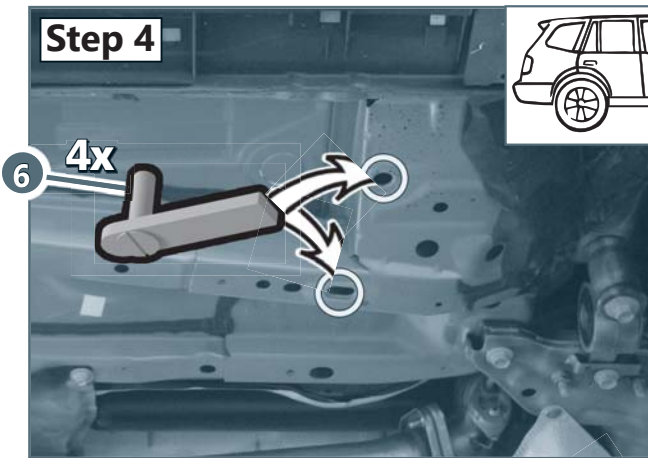
Step 2



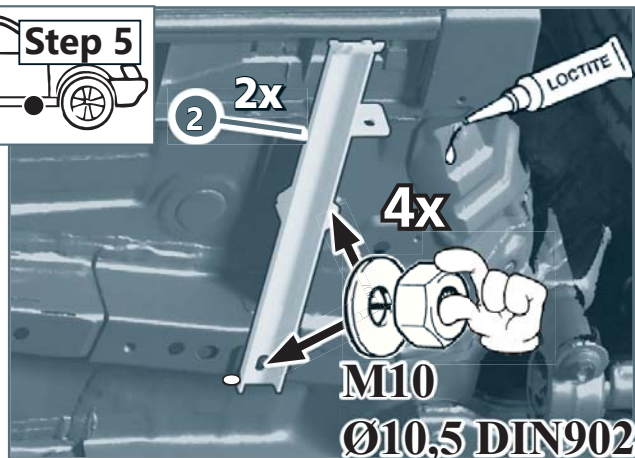
Step 3



Step 4



Step 5



Step 6

