

ALSO AVAILABLE



TOYOTA HILUX (2021+)
GRILLE INTEGRATION KIT



TOYOTA LC200 SERIES (2016+)
GRILLE INTEGRATION KIT



TOYOTA LC70 SERIES (2010+)
GRILLE INTEGRATION KIT



TOYOTA RAV4 HYBRID (2019+)
GRILLE INTEGRATION KIT



SUBARU OUTBACK (2021+)
GRILLE INTEGRATION KIT



UNIVERSAL ROOF MOUNTING
WITH AND WITHOUT ROOF RAILS



CLIP-ON LENSES
BLACK, AMBER AND REEDED LENSES



CAN INTERFACE
PLUS CONTACTLESS READER

WHAT'S INCLUDED

- 2x Grille Mounting Brackets
- 2x Cutter Guides
- Anti-Theft Fasteners & Key
- Fitting Instructions

Additionally - Kit Includes:

- 1x High Performance LED Spotlights (Linear-18)
- 1x Single-Lamp Wiring Kit

TOOLS REQUIRED



! SIDE MOUNTING INFORMATION



LAZER
HIGH PERFORMANCE LIGHTING

WWW.LAZERLAMPS.COM

+44 (0)1992 677374
sales@lazerlamps.com

Lazer Lamps Ltd, Units 1&2 Harlow Mill Business Centre,
Riverway, Harlow, Essex. CM20 2FD. United Kingdom

MADE IN THE UK /LAZERLAMPS /LAZERLAMPS

LAZER
HIGH PERFORMANCE LIGHTING



TOYOTA RAV4 PLUG-IN HYBRID 2020+ GRILLE INTEGRATION KIT

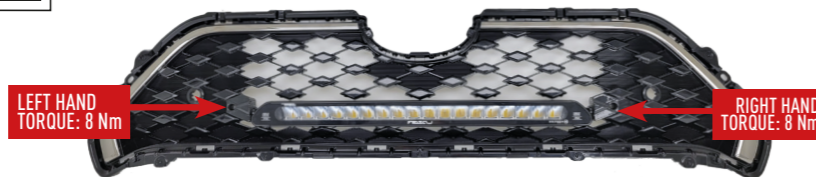
FITTING INSTRUCTIONS

INSTALLATION PROCESS

Install should be completed with the grille left on the vehicle.

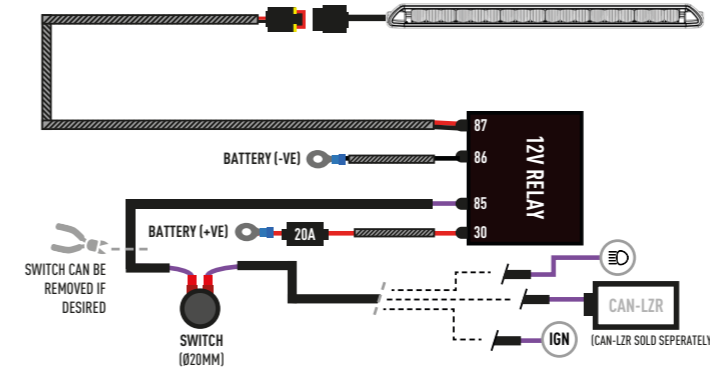


TORQUE VALUES

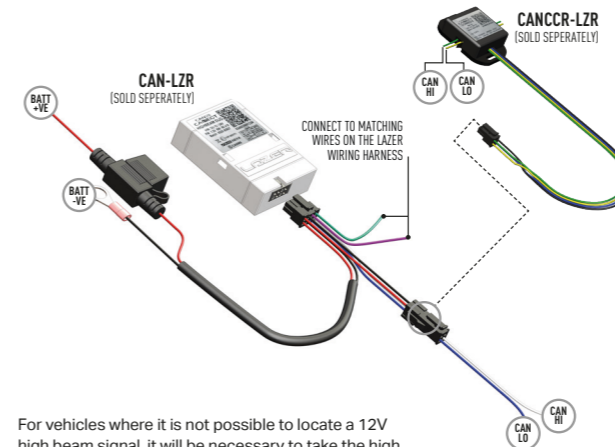


ELECTRICAL CONNECTION

LINEAR-18 (STANDARD OR ELITE)



CANBUS INTEGRATION



For vehicles where it is not possible to locate a 12V high beam signal, it will be necessary to take the high beam signal from the vehicle's CAN system. For vehicle specific CAN instructions, please download the "CANM8 Connect" App.

